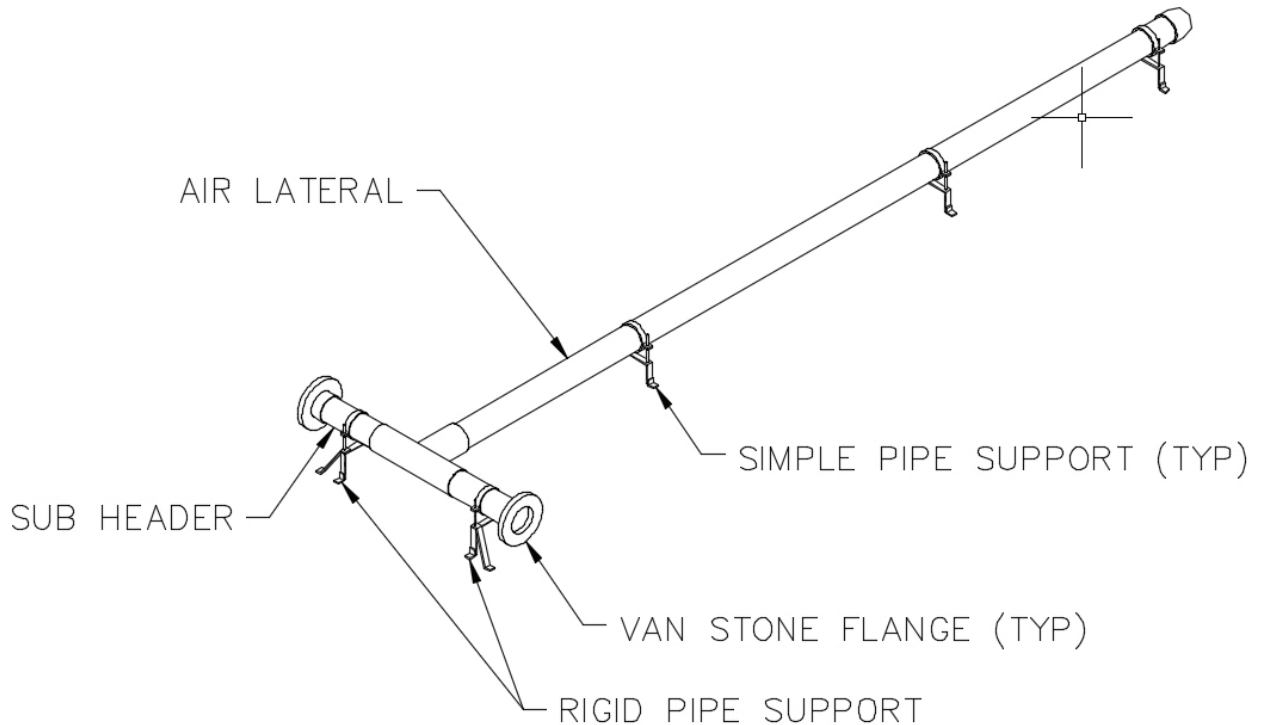


# Submerged Lateral Lagoon Aeration System



- Units retrievable to surface for maintenance with locator bouys floating on the surface
- Most economical HPDE lateral option for partial mix applications
- Dual-Tee configuration allows more units per lateral than other configurations
- Especially effective in low-density applications



DIFFUSER ASSEMBLIES  
REMOVED FOR CLARITY