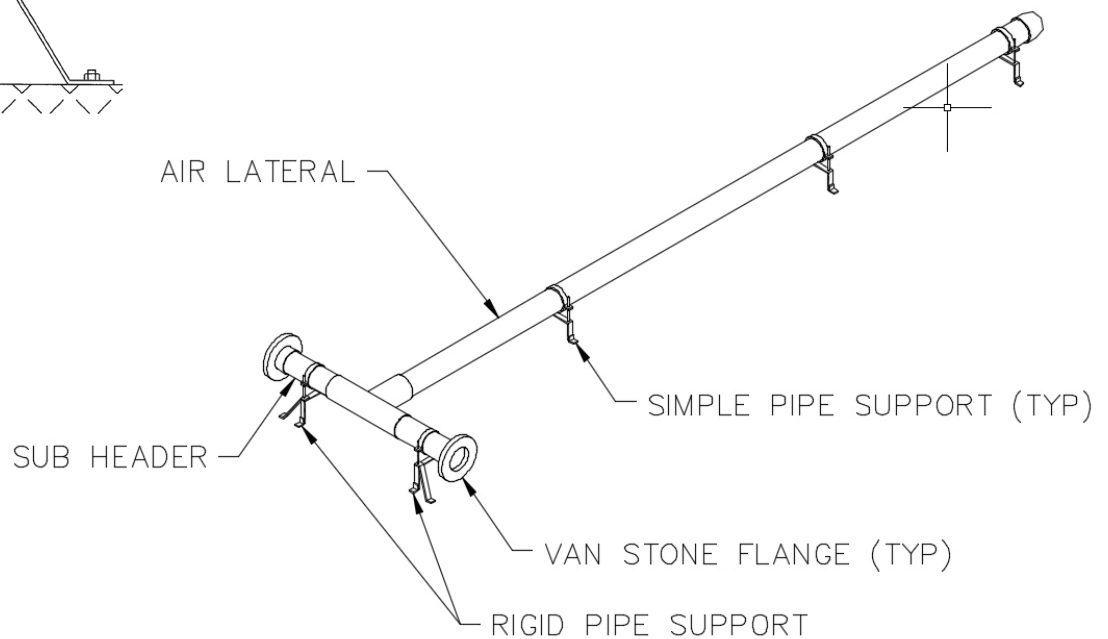
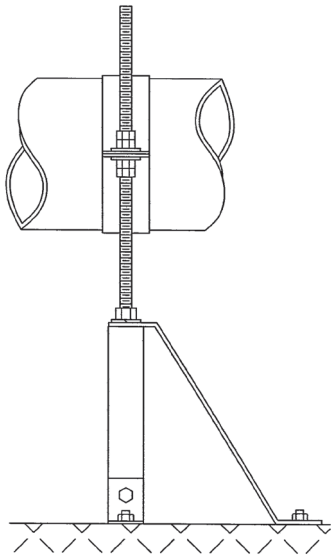


Fixed Grid Tube System



- Factory manufactured components with fixed mechanical connections for ease of installation
- No size constraint on drops and headers, 3"– 8" and 90mm –160mm for distribution laterals
- Available with all EDI tubular/panel diffusers
- Uses no slip joints that are subject to wear and replacement, increasing service life
- Permanently anchored to reactor floor; stainless steel supports standard
- Stainless steel drop pipe and rigid PVC header and lateral standard; alternate materials (ABS, CPVC, and Stainless Steel) and wall thicknesses available for heat, chemical resistance, or when maximum durability is desired



DIFFUSER ASSEMBLIES
REMOVED FOR CLARITY