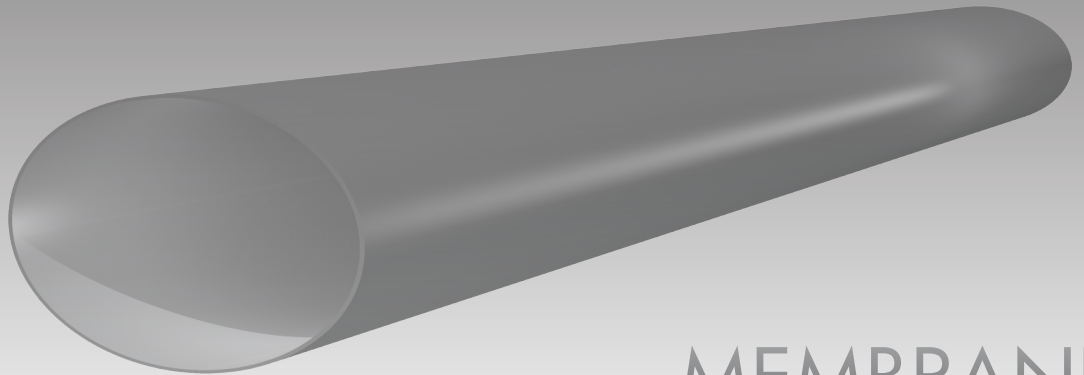


Silicone Membrane Material

Polymeric Organosilicon

We have tested ours against everyone else's—ours wins, guaranteed!

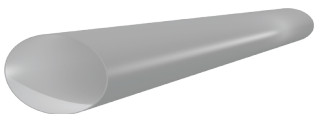
unmatched
mechanical
strength and
reliability



MEMBRANE
MEMBRANE

Why EDI's Silicone Membrane is the best on the market

- The most efficient silicone membrane
- Available in 12-inch disc or 90 mm & 110 mm tube
- Mounts on pipe material (PVC, ABS, CPVC, & SS)
- Rugged heavy-duty construction



To learn more about the Silicone Membrane, call or visit us online today.

Environmental Dynamics International
+1 573.474.9456 or 877.EDI.Air8
www.EnvironmentalDynamics.com



aeration for life

MADE IN THE USA

SLS_SM_0116